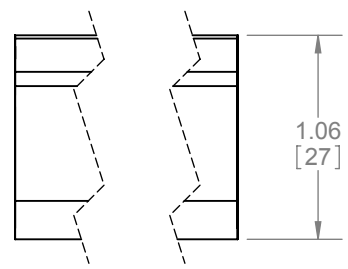
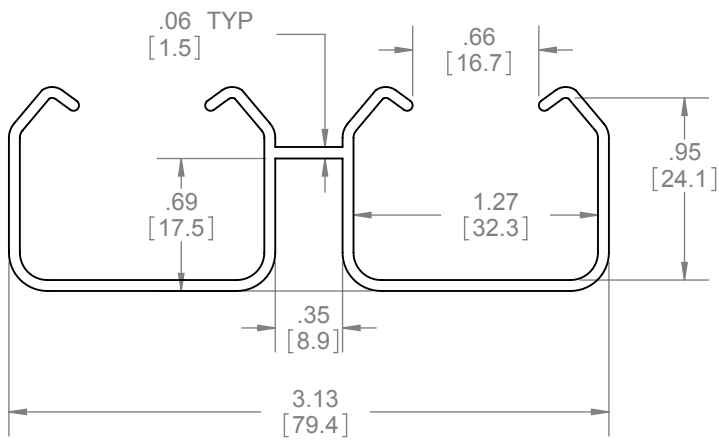
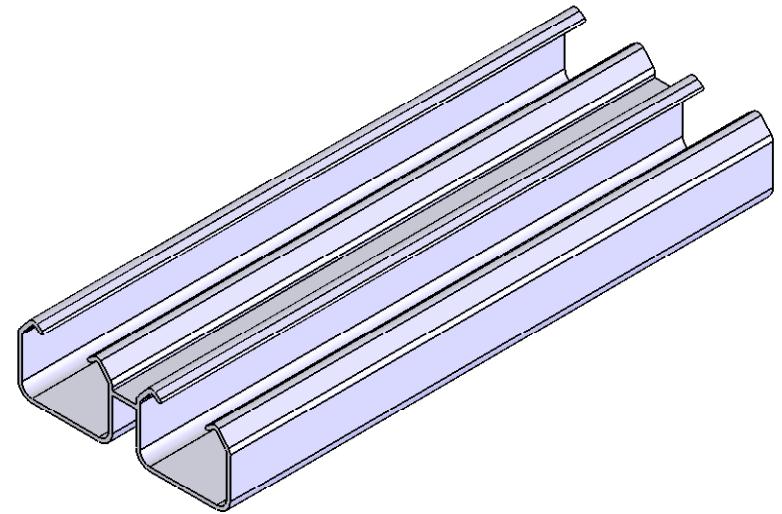


REV.	DESCRIPTION	ECO NO.	DATE
01	NEW DRAWING FOR WEB		3/20/2008



NOTES:
 -FOR DOORS UP TO 150LBS. (68kg)
 -JUMP PROOF DOUBLE TWIN CHANNEL DESIGN

LENGTHS:
 -46" (1168mm) TO 142" (3607mm)



PROPRIETARY & CONFIDENTIAL
 THE INFORMATION CONTAINED IN THIS DRAWING IS THE SOLE PROPERTY OF HAGER COMPANIES. ANY REPRODUCTION IN PART OR AS A WHOLE WITHOUT THE WRITTEN PERMISSION OF HAGER COMPANIES IS PROHIBITED.

HAGER RESERVES THE RIGHT TO MAKE DESIGN CHANGES WITHOUT NOTICE. CALL HAGER ENGINEERING AT 1-800-325-9995 FOR THE LATEST REVISION DATE OF TEMPLATE.

DRAWN	NJANSEN	2/7/2008
ENG. APPR.	M MCRAE	3/20/2008
MATERIAL	ALUMINUM	
FINISH	CLEAR	
DO NOT SCALE DRAWING		
TOLERANCES: FRACTIONAL: ±0.015" ANGULAR: MACH: ± 1° BEND: ±1° TWO PLACE DECIMAL: ±0.01" THREE PLACE DECIMAL: ±0.004"		

9602		REV.
HEAVY DUTY ALUMINUM DOUBLE BOX TRACK		01
SIZE	DWG. NO.	
A	S-SD00066	
SCALE: 1:4	WEIGHT: 0.34	SHEET 1 OF 1